

H G F E D C B A

4

3

2

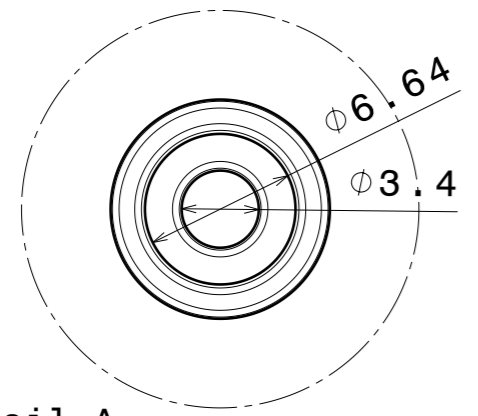
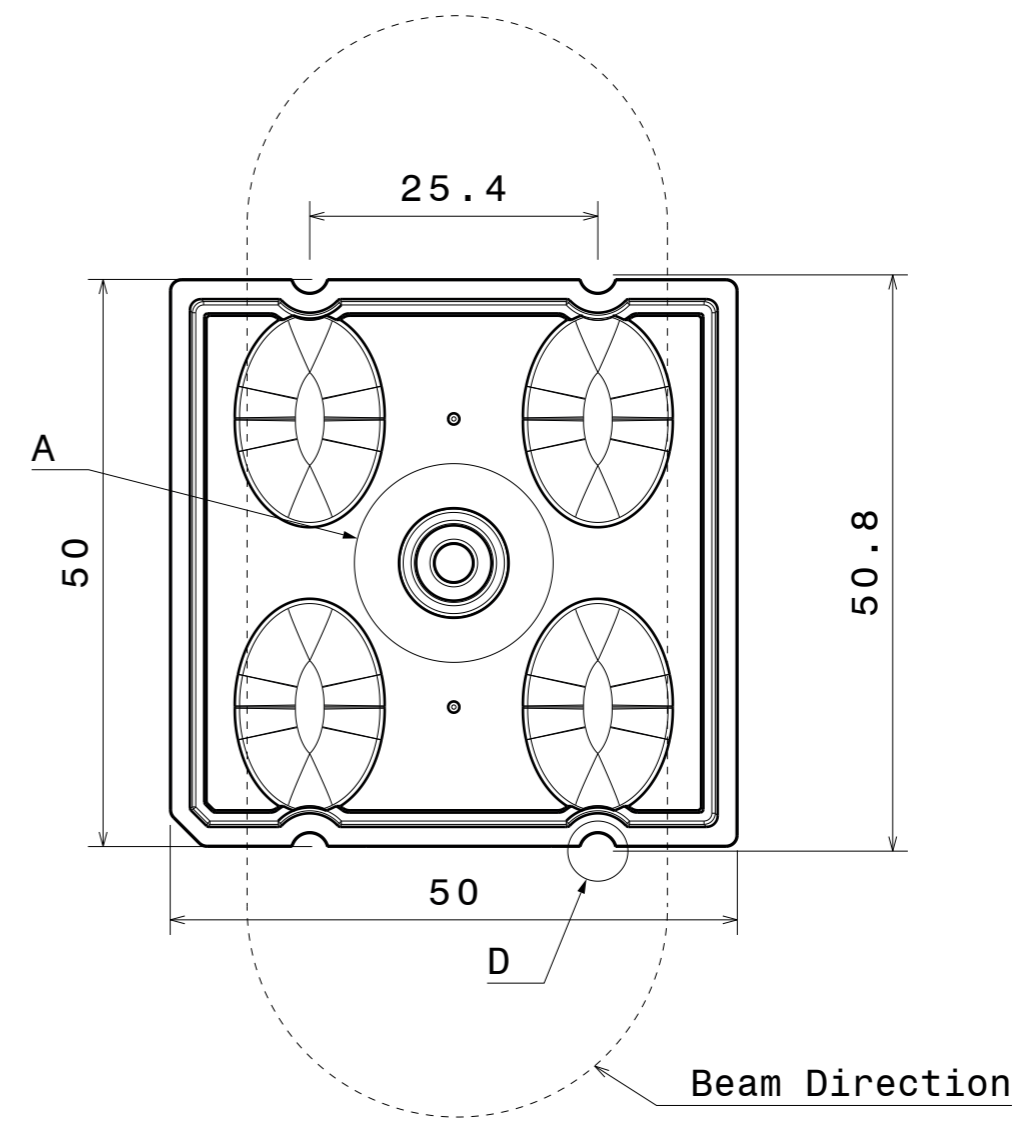
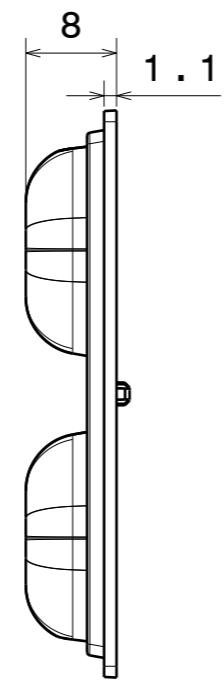
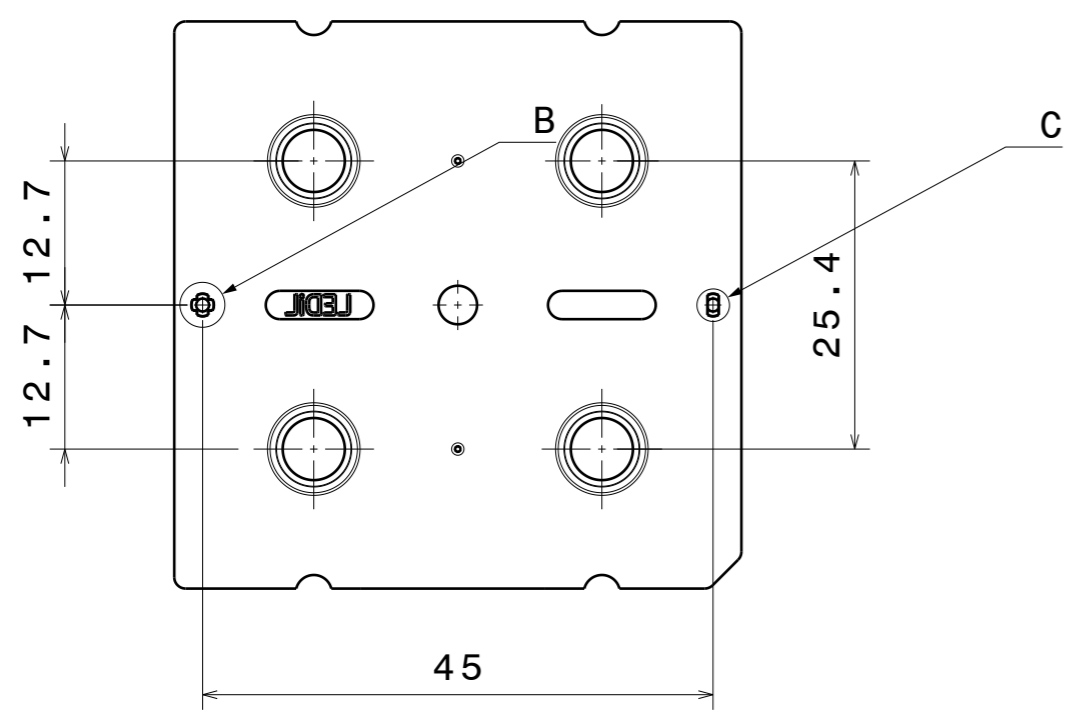
1

4

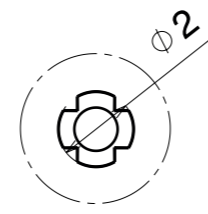
3

2

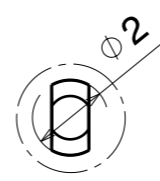
1



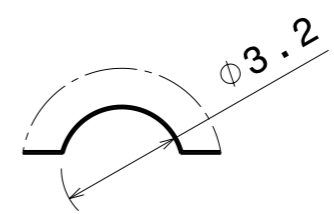
Detail A
Scale: 3:1



Detail B
Scale: 5:1



Detail C
Scale: 5:1



Detail D
Scale: 5:1

INDEX	PART NO	DESCRIPTION	MATERIAL	COLOUR
1	C16395	STRADA-2X2-T1-PC	PC	

MECHANICAL DRAWING		LEDiL [®]
PRODUCT	STRADA	
Plastic moulding general tolerances according to DIN 16901-130 and applies if not otherwise shown in the drawing. Silicone moulding general tolerances according to ISO 3302-1 Class M3 and applies if not otherwise shown in the drawing.	FIRST ANGLE PROJECTION: 	This drawing is the property of LEDiL Oy. It may not be reproduced, copied or communicated without a written agreement with LEDiL Oy.
SCALE	3:2	WEIGHT 19,33 g
		A3 SHEET 1/1

H G B A